



ITEMS INCLUDED

(120VAC, 60Hz, max75W)

Anchor(A):  $\Phi 7.5[\text{mm}] \times 36[\text{mm}] \times 7$ Wall cleat:  x1Screws(B):  4[mm] \times 40[mm] \times 5T-Screws:  5[mm] \times 40[mm] \times 2**NECESSARY TOOLS (NOT INCLUDED)****INSTALLATION**

 We suggest that installation be done by a licensed electrician.

If desired, the plug at the end of the cord can be removed to be hard wired. All wiring must be done in accordance with national and local electrical codes. If you are not familiar with wiring, you should use a qualified electrician.

Ensure the mounting surface is dry and allows for plug to be safely connected to the main power supply.

If the location requires the provision of a new electrical supply, the supply must conform with the requirements of related Building Regulations

1) Using a level as a guide, draw a pencil line on the mounting surface and mark where the bottom edge of the wall cleat is to be located based on your height requirements for the installation and mark the position of mounting screws using holes in wall cleat.

Using the dimensions on the next page, based off your holes marked for the wall cleat, you can drill holes into the wall and insert anchors for included t-screws, these can be turned to engage with the small brackets on the back of the mirror to lock mirror to wall for additional security.

If drilling into tile, you can use masking tape to help the drill bit from wandering.

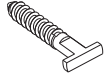
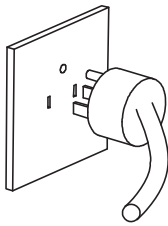
2) Wearing proper eye protection and gloves, drill and insert wall anchors, omitting at least two anchors, as it is recommended that at least 2 of the wall cleat screws hit at least 2 wall studs or additional wood blocking between studs, when hitting a stud, screws for studs are not included due to variances in installation material, do not use the included wall anchors for studs.

3) Lay cleat over anchors and fix to wall with screws.

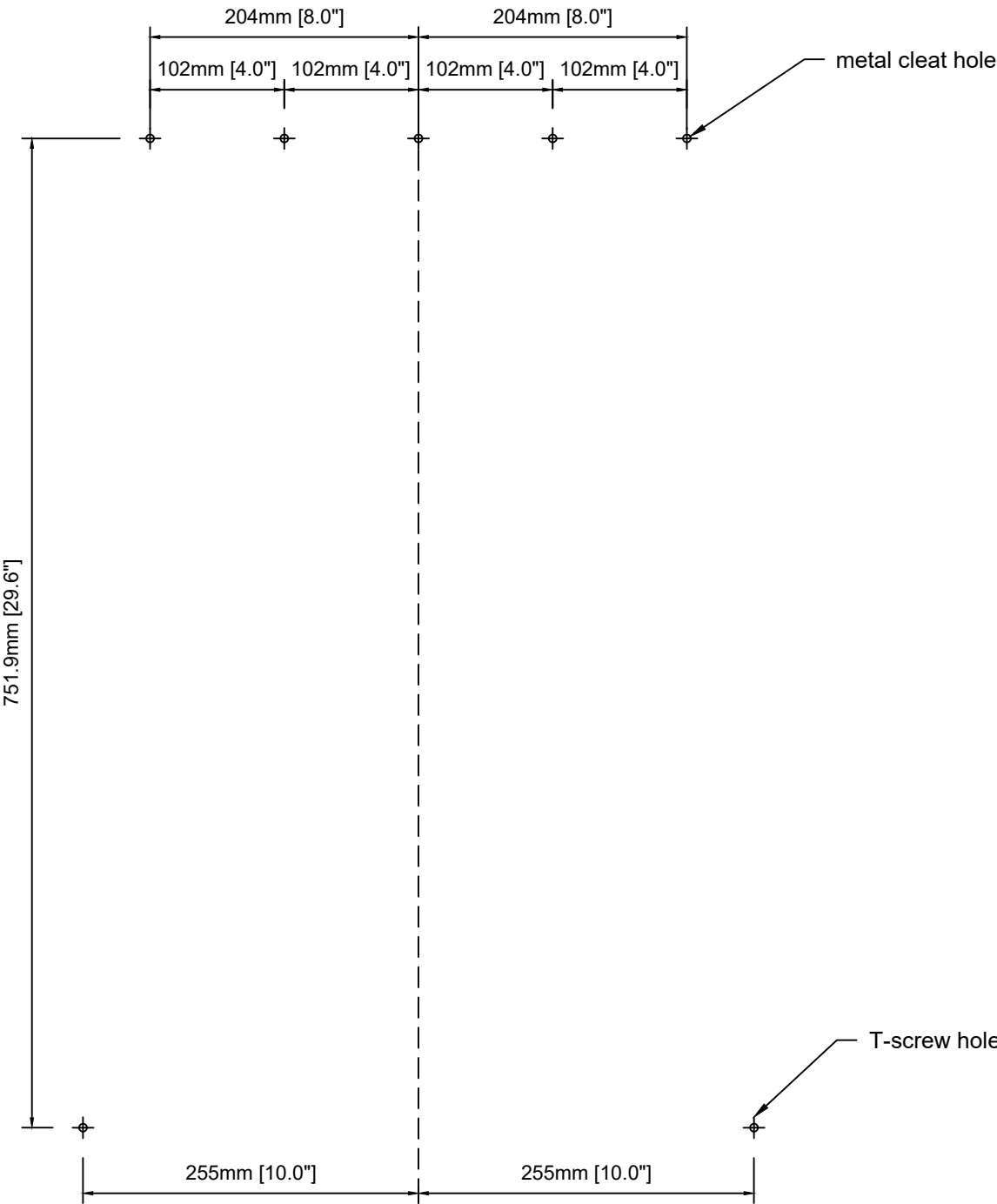
4) Hang the frame on the wall engaging the two cleats.

5) For additional security, lock the mirror to the wall turning the t-screw with a wrench or pliers as shown. T-screw locking systems are not necessary for residential installations.

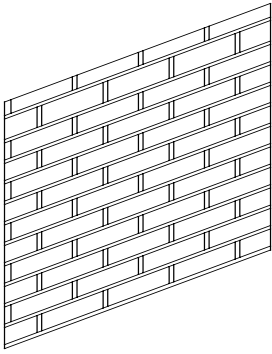
6) Plug the mirror into an appropriate outlet.

	<p>Step 1</p> <p>Drill holes after marking with cleat use guide on next page for bottom hole locations</p>		<p>Step 2</p> <p>Insert anchors (A) into the wall</p> <p>Omit two at top for cleat to screw directly into wall studs</p>
	<p>Step 3</p> <p>Mount cleat using the screws (B) supplied.</p> <p>Mount T-screws with pliers or similar</p>		<p>Step 4</p> <p>Hang the frame on the cleat</p> <p>with T-screw in bracket as shown</p> <p></p> <p>T-screw</p>
	<p>Step 5</p> <p>Rotate the T-screw as shown</p>	<p>Step 6</p> <p>Make sure that the product is connected to an outlet having the same configuration as the plug</p> 	

Installation size



INSTALLATION GUIDELINES




This product can be installed directly on a wall. Any other installation method will void the product warranty and can lead to injuries.



SAFETY INFORMATION

Please read and understand this entire manual before attempting to assemble, operate or install the product.

- Handle the glass with caution! Improperly handling the glass can cause it to break.
- You will need at least two people to install this unit properly.
- Distributor is not responsible for any damage to the unit or personal property caused by improper installation.
- Carefully remove product from packaging and keep packaging until installation is complete.
- Install the product on a leveled surface.

 Make sure that the electricity is turned off at the power source before proceeding with the installation.

IMPORTANT SAFETY INSTRUCTIONS

When using an electrical furnishing, basic precautions should always be followed, including the following:

Read all instructions before using this furnishing.

DANGER – To reduce the risk of electric shock

1. Always unplug this furnishing from the electrical outlet before cleaning.
2. If the product is broken, please turn off the power or unplug it and contact the supplier for maintenance.

WARNING – To reduce the risk of burns, fire, electric shock, or injury to persons:

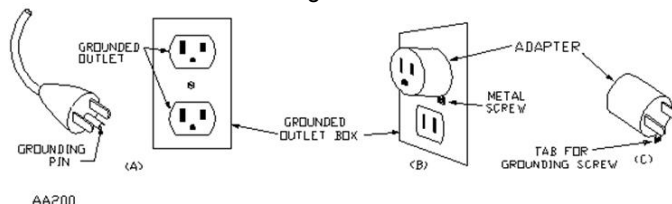
- a. Close Supervision is necessary when this furnishing is used by, or near children, invalids, or disabled persons.
- b. Use this furnishing only for its intended use as described in these instructions. Do not use attachments not recommended by the manufacturer.
- c. Never operate this furnishing if it has a damaged cord or plug, if it is not working properly, if it has been dropped or damaged, or dropped into water. Return the furnishing to a service center for examination and repair.
- d. Keep the cord away from heated surfaces.
- e. Never operate the furnishing with the air openings blocked. Keep the air openings free of lint, hair, and the like.
- f. Never drop or insert any object into any opening.
- g. Do not use outdoors.
- h. **WARNING:** Risk of Electric Shock – Connect this furnishing to a properly grounded outlet only. See Grounding Instructions.
- i. Mount furnishings at the correct height.
- j. **CAUTION** – Risk of Electric Shock. Disconnect power cord before moving or servicing this furnishing.
- k. To disconnect, turn all controls to the off position, then remove plug from outlet.
- l. Suitable for Damp Location.
- m. Unplug from outlet before putting on or taking off parts.

SAVE THESE INSTRUCTIONS

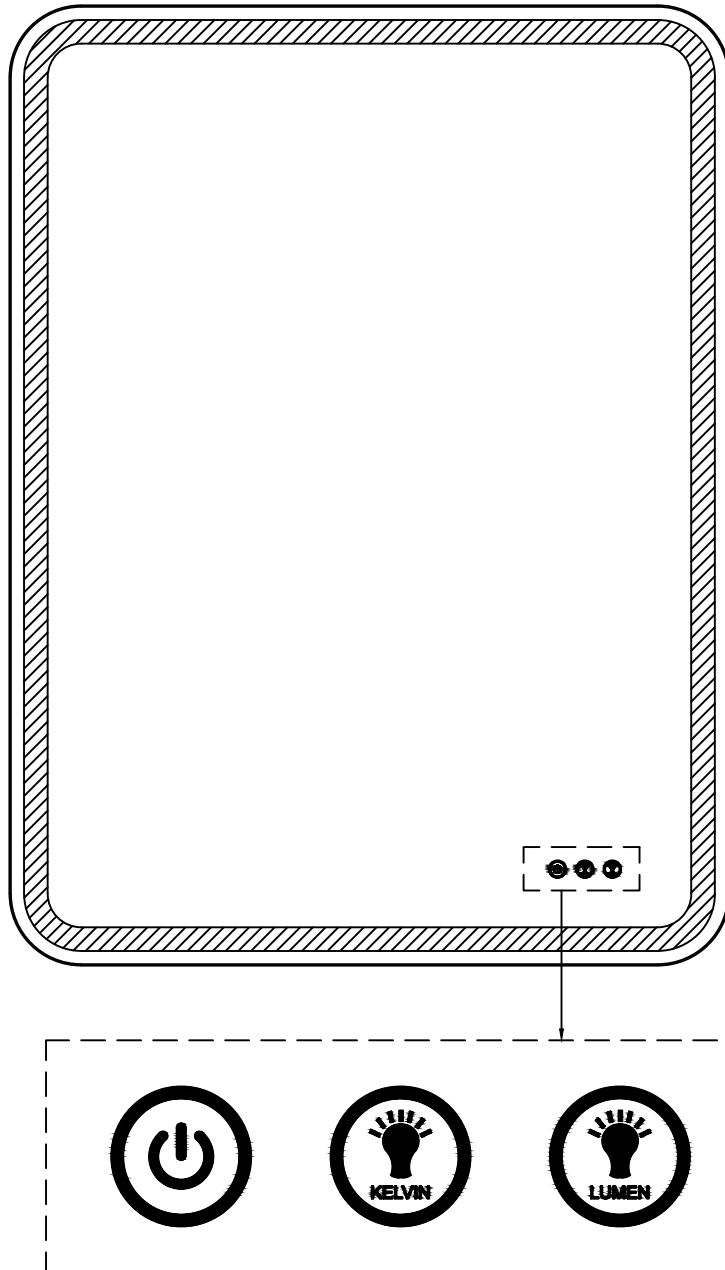
GROUNDING INSTRUCTIONS




a) For a grounded, cord-connected product rated max 15 amperes and intended for use on a nominal 120-volt supply circuit : This product is for use on a nominal 120-volt circuit and has a grounding plug that looks like the plug illustrated in sketch A (see Figure 77.1). Make sure that the product is connected to an outlet having the same configuration as the plug. No adapter should be used with this product.

Figure 77.1
Grounding methods



AA200



	<p>Press and release the touch button to turn on the LED lights Press and release the touch button again to turn off the LED lights</p>
	<p>Press and hold the touch button, Kelvin (color temperature) range: 2700k - 4000k or 4000k - 2700k</p>
	<p>Press and hold the touch button, Brightness range: 2% - 100% BRIGHT or 100% - 2% BRIGHT</p>